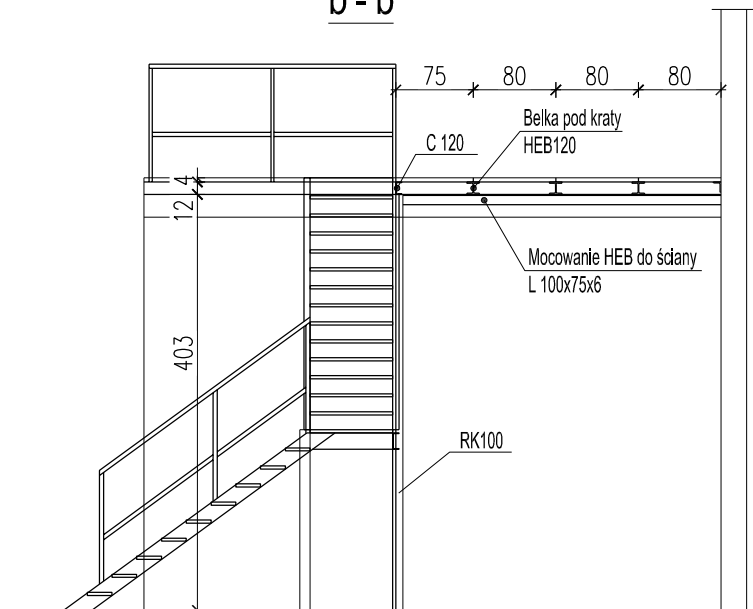


**b - b**



**a - a**

